

120 INCH (POSSIBLE) DOME SHUTTER CABLE MODIFICATION



Western Regional Office
6752 Preston Avenue Suite D
Livermore, CA USA 94551-8528
T 925.960.8770 F 925.960.8774
www.morriscranes.com

SERVICE QUOTATION

Quotation No. MB102008

TO:	Darryl Severenson	DATE:	October 20, 2008
COMPANY:	Lick Observatory / U.C. Santa Cruz	FROM:	Mike Barthman
TITLE:		TITLE:	Service Manager
TELEPHONE #:	(831)459-5954	TELEPHONE #:	925-960-8770
FAX #:	(831)459-5928	FAX #:	925960-8774

We are pleased to offer the following quotation for you review and approval:

SCOPE OF WORK:
Provide proposal to repair shutter tension points, this proposal includes labor and materials to upgrade the four tension points on your shutter open and closing system. We are proposing to remove the existing tensioning system and manufacture a set of sheaves which incorporates a tension system built in. This proposed system will eliminate the point of failures at each of the four connection points. One continuous wire rope will be required for each "Open / Close" connection point. This proposal will also make the system safer due to no wire rope clips. The proposed upgrade will take approx 4 days per connection point using customer supplied wire rope.

PRICE.....\$60,033.00

Manlift or other equipment, if required, to be supplied by customer, or billed at cost plus 15%.

TERMS OF PROPOSAL

This quote/proposal is subject to the Morris Material Handling (Maintenance Services) Standard Terms and Conditions of Sale (Revision 010107), a copy of which is attached hereto or otherwise available upon request and the terms of which are incorporated as if fully rewritten herein. Subject to credit approval, payment net 30 Days. Visa, MasterCard and American Express accepted.

ADDITIONS AND CLARIFICATIONS

Prices are firm for acceptance within thirty (30) days from date of quotation.
The following are not included in the quoted price:

- Installation labor, unless otherwise specified.
- Freight and applicable taxes.
- Personnel for safety or ground watch.
- Union labor.

Prices are based on all work being done during regular working hours, 7:00am to 4:00pm, Monday to Friday unless otherwise stated. Travel time is included. Service technicians' must have free and clear



CRANES / HOISTS / SERVICE / PARTS

120 INCH (POSSIBLE) DOME SHUTTER CABLE MODIFICATION



access and the area should be free from obstructions that may impede their progress. Additional cost may be incurred if these conditions are not met.

We appreciate your business. Please call me directly with any questions.
For your convenience, you can fax this signed letter or forward a Purchase Order to ...

FAX: 925.960.8774

Name(printed): _____ Signature: _____ P.O.# _____



CRANES / HOISTS / SERVICE / PARTS

120 INCH (POSSIBLE) DOME SHUTTER CABLE MODIFICATION

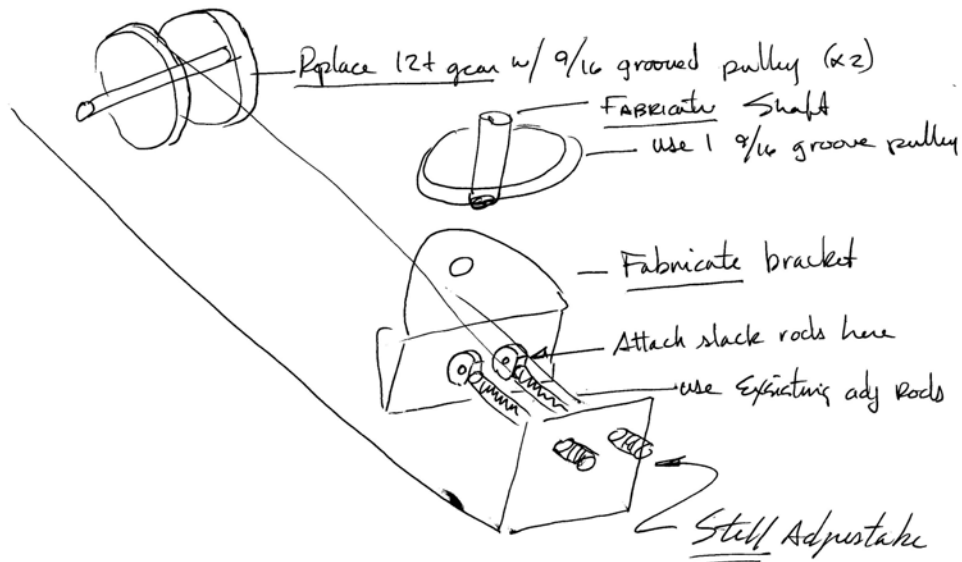
MIKE:

LICK-

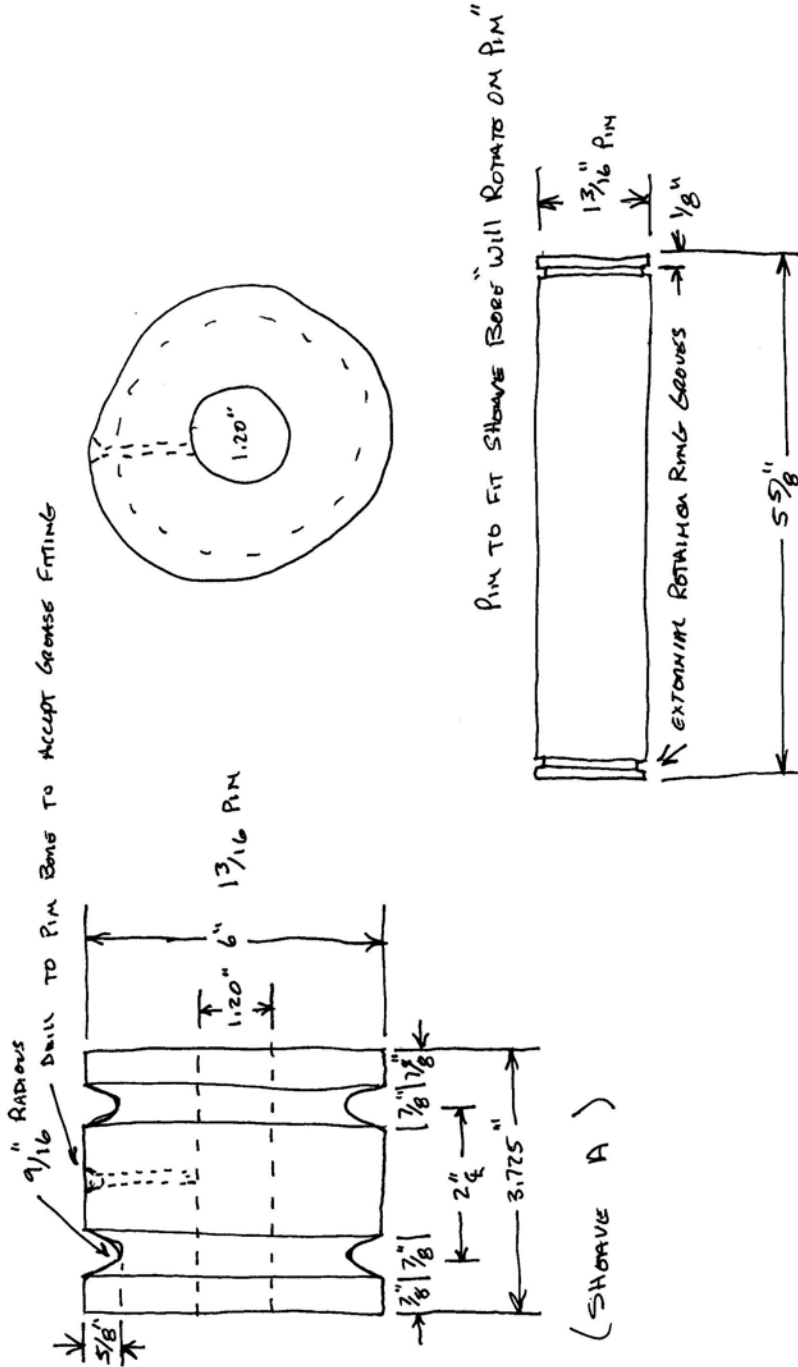
- 1) ENGINEERING (DNR) Requires 3 Rope clips
- 2) CROSSY Requires 3 Rope Clips
- 3) SYSTEM Requires LOAD SHARING ON ALL CABLES
- 4) Repair 1 side would require the other side to be Adjusted - to be able to load share all four cables
- 5) if clips pull again - (if installed "to get by") what then?
- 6) with out proper load share; Shutter could Drop @ any time. Very Dangerous! who would own liability
- 7) suggestion below Low \$ impact, easy to install/fabricate, easy to adjust! Would be only 1 rope and NO Clips!

A will all before entry to Crane @ lockheed

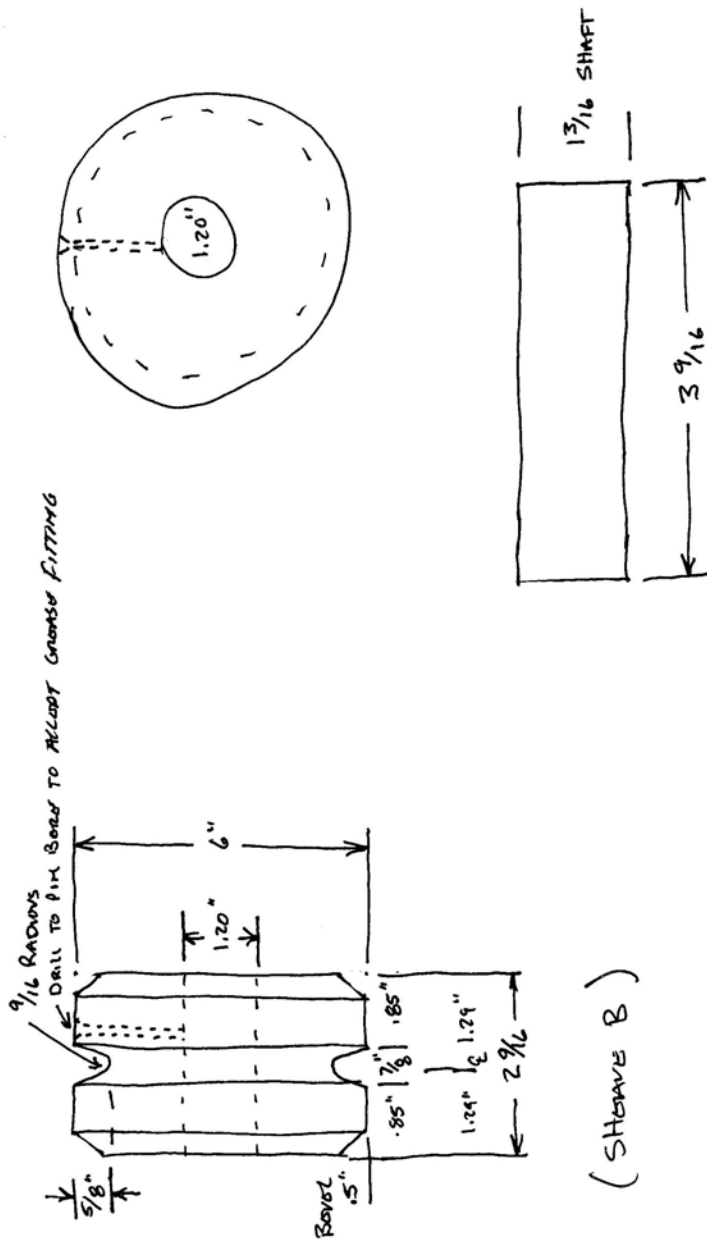
Suggested: 1 rope per side w/adjustment



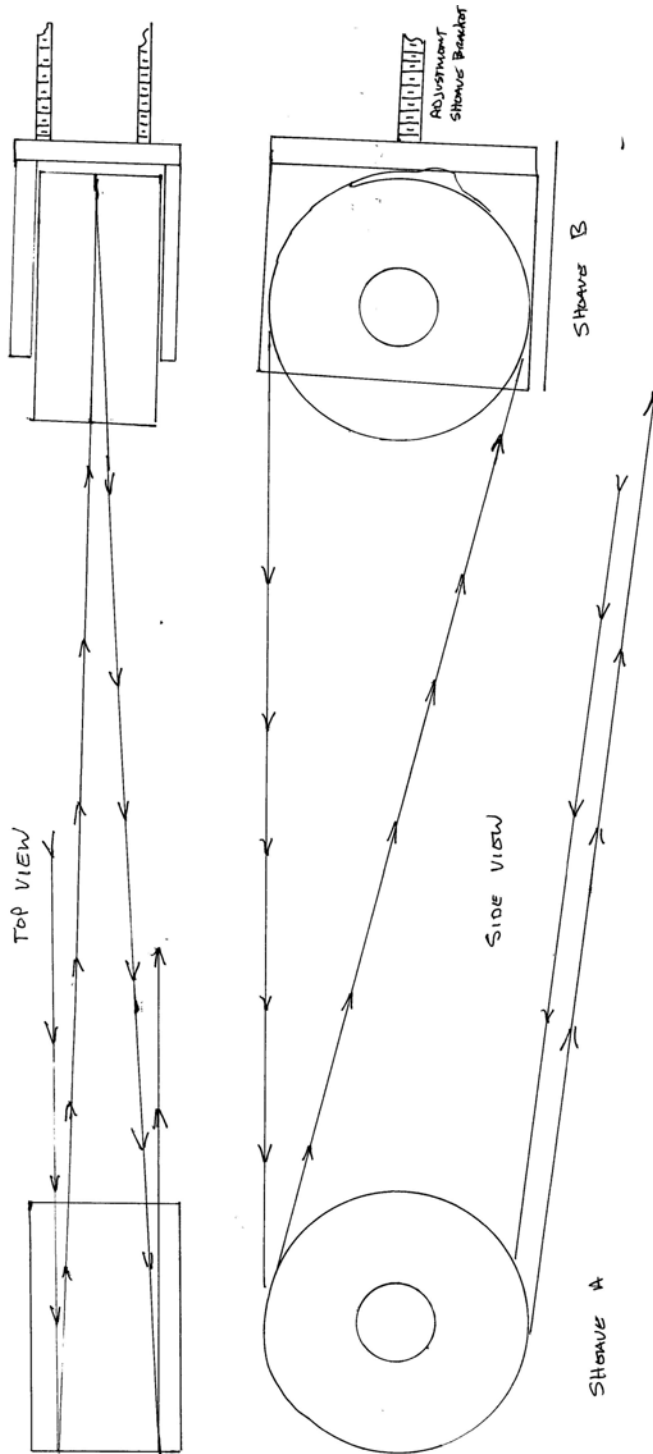
120 INCH (POSSIBLE) DOME SHUTTER CABLE MODIFICATION



120 INCH (POSSIBLE) DOME SHUTTER CABLE MODIFICATION



120 INCH (POSSIBLE) DOME SHUTTER CABLE MODIFICATION



ONE WIRE ROPE TO UTILIZE BOTH UP & DOWN
 WILL REQUIRE 1 ROPE UP & DOWN ATTACHED
 TO HOIST DRUMS NO ROPE CLIP REQUIRED
 AT SHUTTER ADJUSTMENT POINT